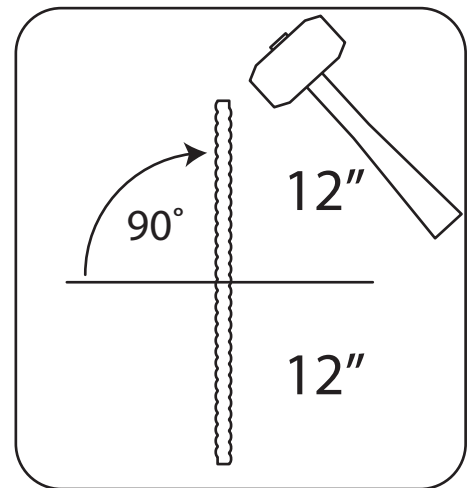
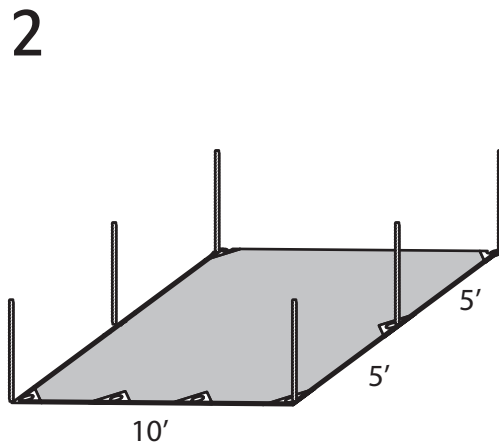
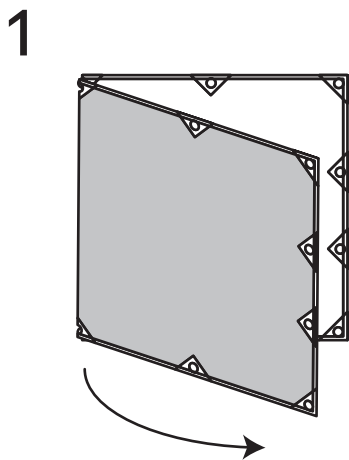
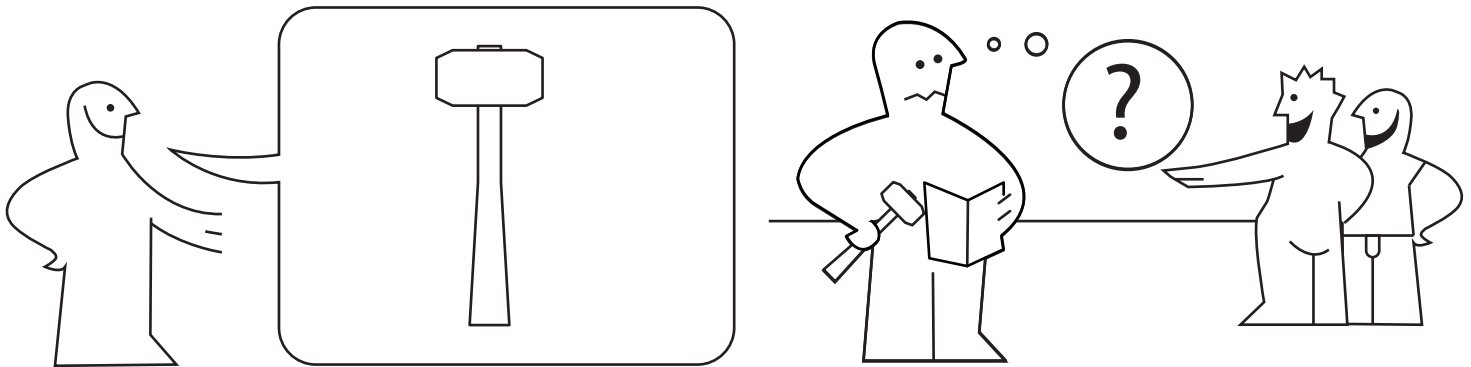
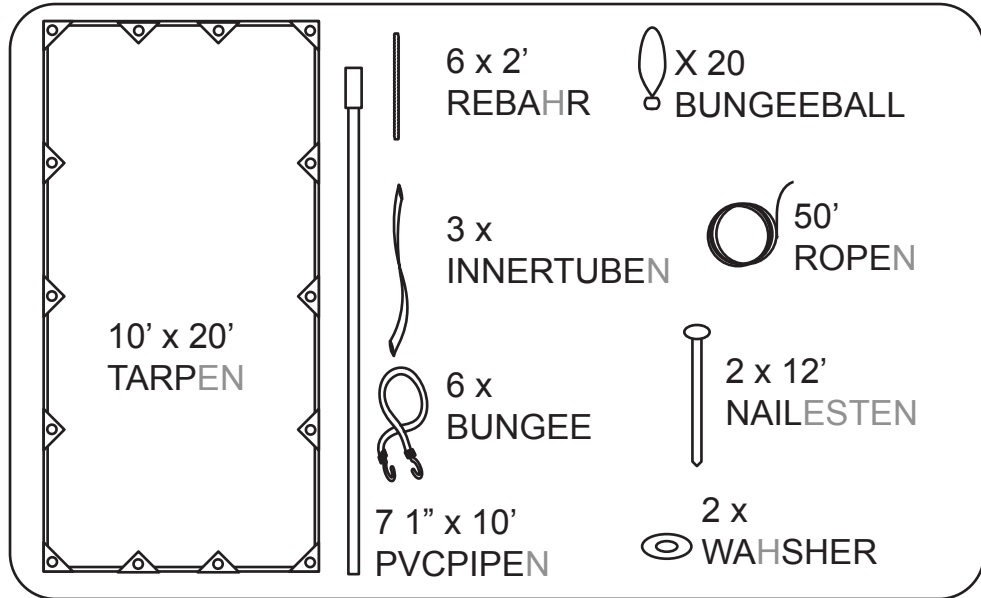
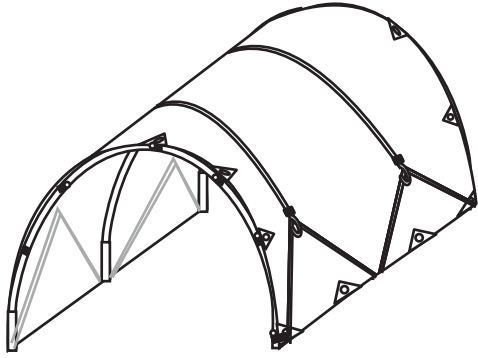
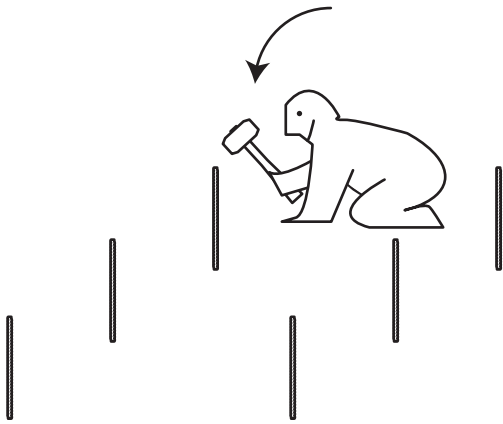


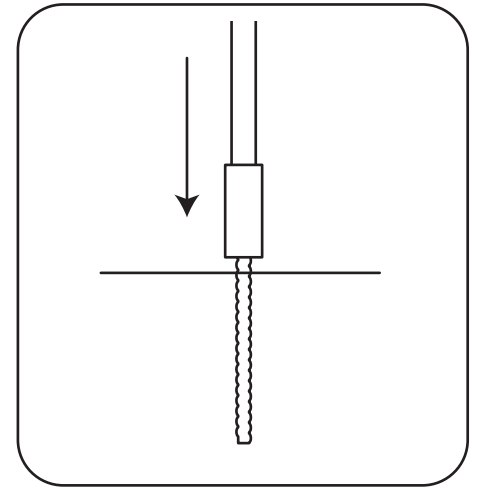
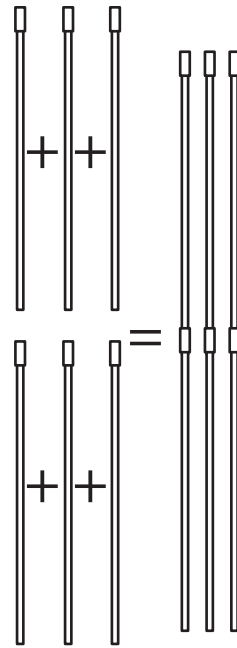
MÜNKEHUT



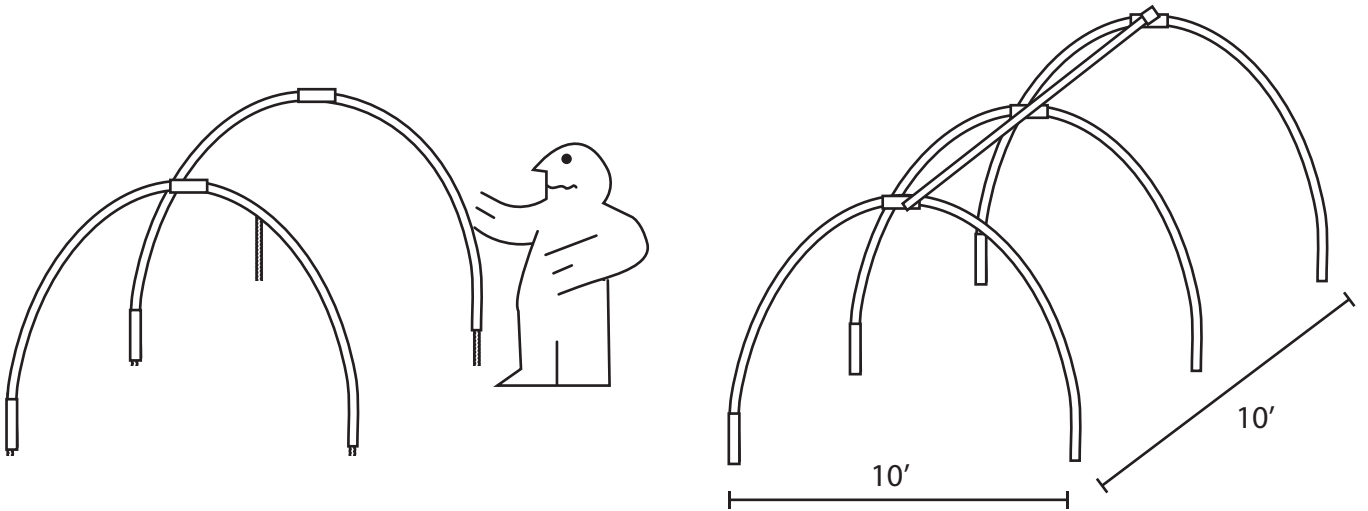
3



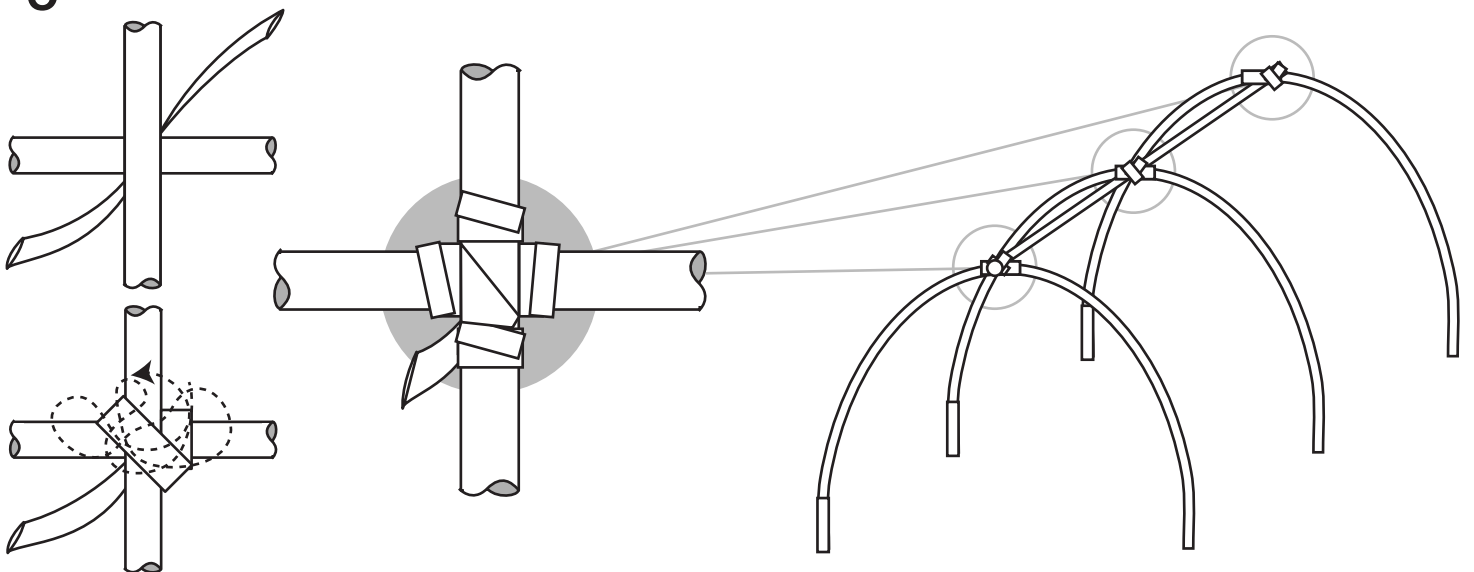
4



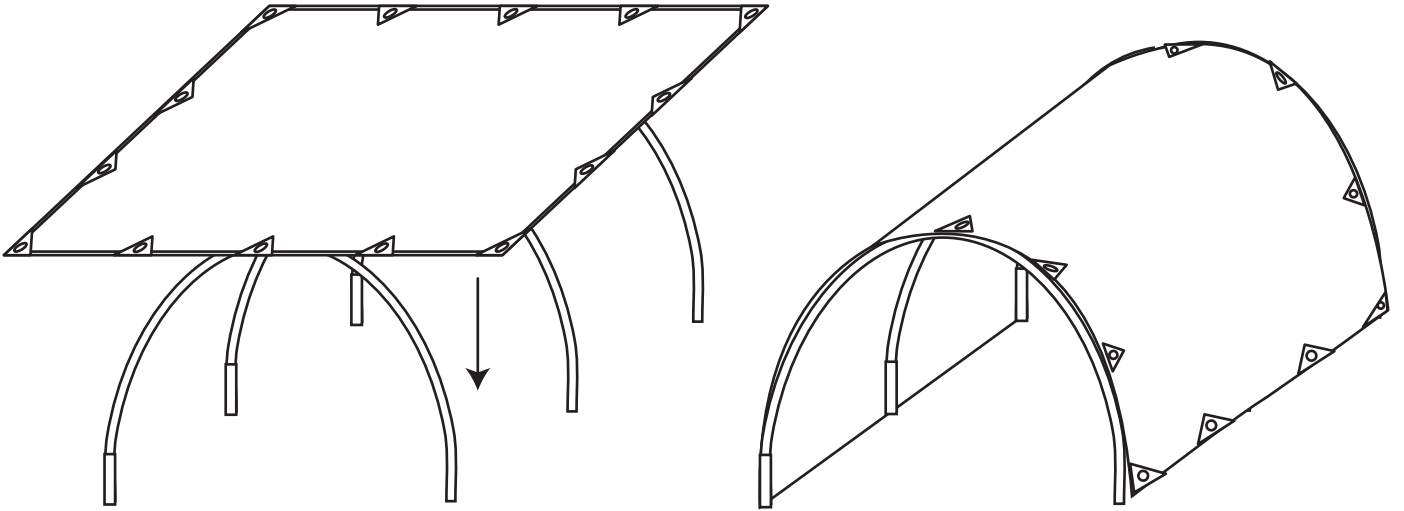
5



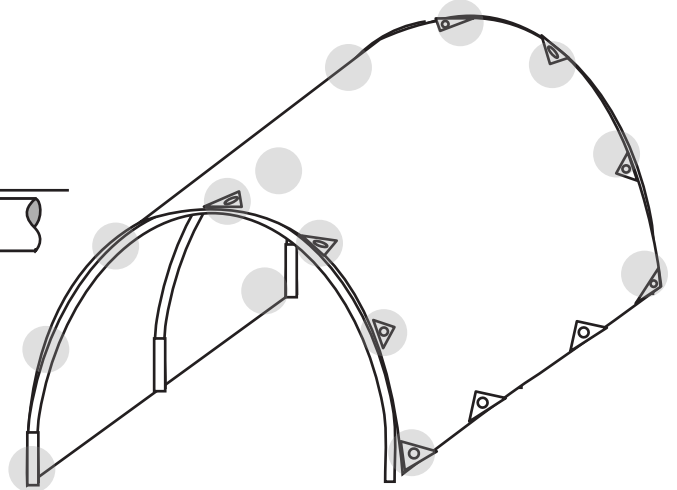
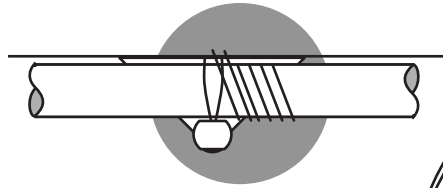
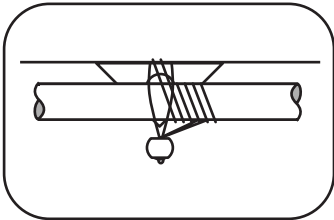
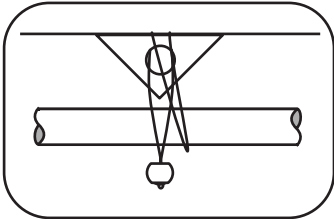
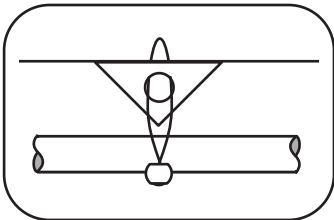
6



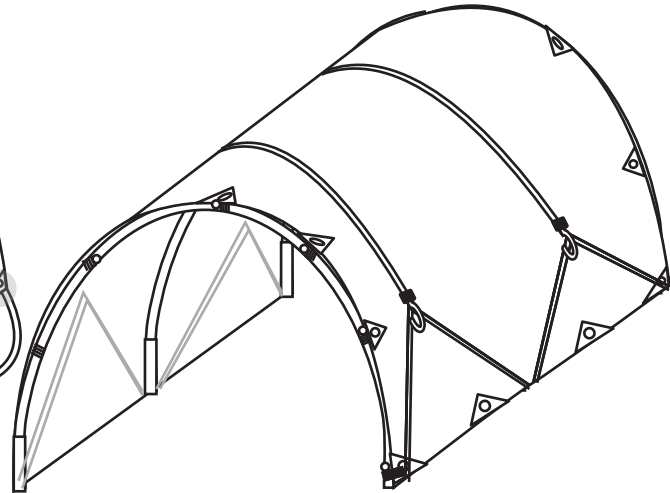
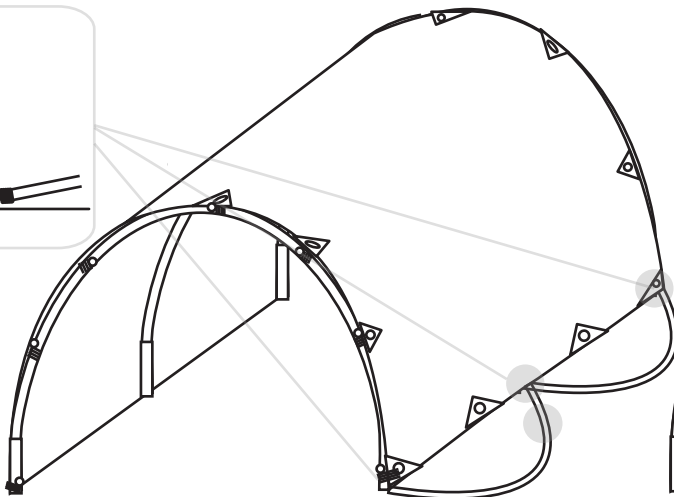
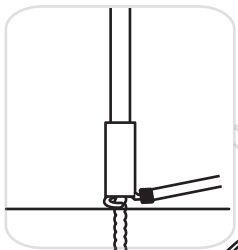
7



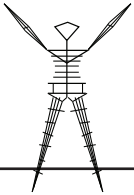
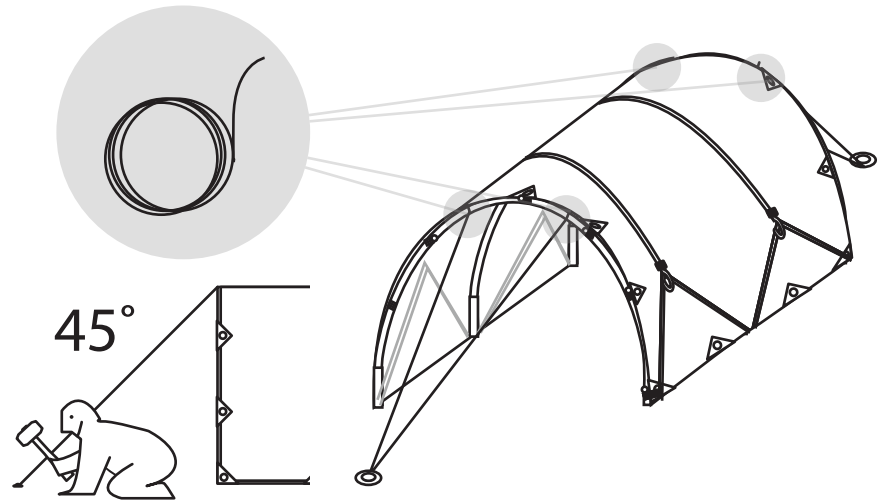
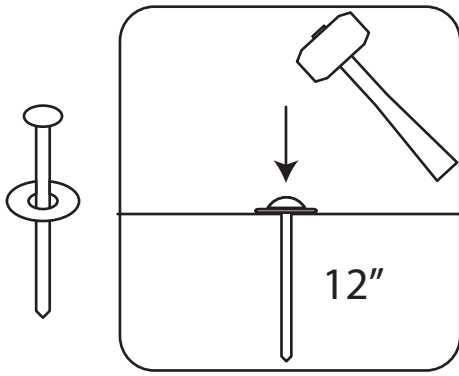
8



9



10



For those of you who aren't sure: Your shopping list should be:

- 1 x 10 x 20 Tarp
- 6 x 24" Rebar Stakes
- 7 x 1" x 10' Sched. 40 PVC Pipes with Bell ends.
- 6 x 4' Bungee cords (ymm v on size)
- 20 x Bungee Balls
- 50' of strong rope.
- 2 x 12' Nails
- 2 x Largest washers that will thread the nail.

You should drop by a local bike shop and pick up:

- 3 x Blown inner tubes. These are cheap and durable tie-downs.

A few notes:

Ask the people at the store to make the cuts on the PVC for you. Cutting on playa is moopy.

Try and watch for the prevailing winds and install your hut accordingly. You want the winds to hit the side of your hut and not through it like a tunnel.

Further tie downs may be required on particularly windy events. Consider buying more nails and washers and drive the tarp directly into the playa through the grommets.

